

## LAROX QUALITY SLEEVES FOR OTHER PINCH VALVE BRANDS



Larox Flowsys manufactures Larox quality sleeves to all makes of pinch valves. Customers have the possibility to purchase sleeves that fit in other valve brands, but correspond to the Larox sleeves in quality and price.

The pricing is comparable to the pricing of original Larox sleeves of the same valve size and pressure class. It is not possible for Larox Flowsys Oy to publish an itemized price list for these special sleeves, because there are so many variations in terms of length, thickness, flanges, inner forms etc.

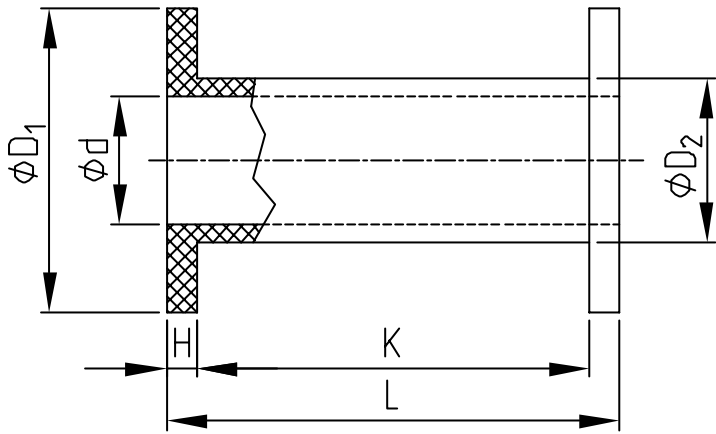
Bigger deviations compared to standard Larox sleeves e.g. in wall thickness and length will to some extent increase the costs.

We accept orders for sleeves to other valve makes only with accurate definition of dimensions, which the customer has to provide together with the order. The brand name and type marking of a valve alone are insufficient in this respect. Quotations with price and delivery time will be provided only upon receipt of the "Enquiry sheet for special sleeve form".

Normal Larox manufacturing warranties apply as defined in the Larox Flowsys Oy Standard Conditions of Sale.

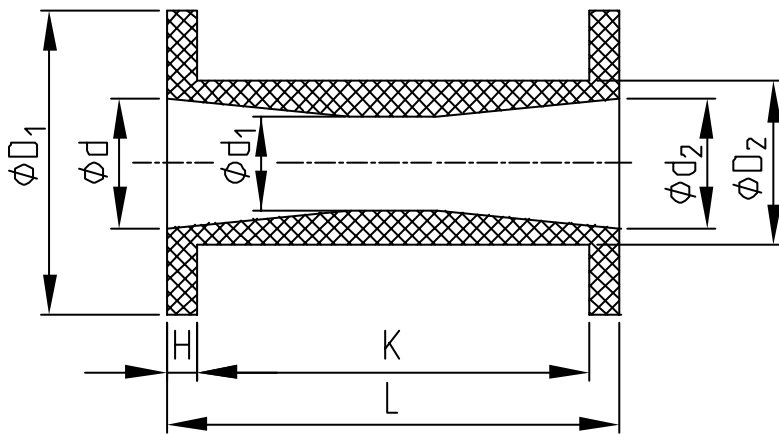


### Normal sleeve:



$\phi d$	$\phi D_1$	$\phi D_2$
H	K	L

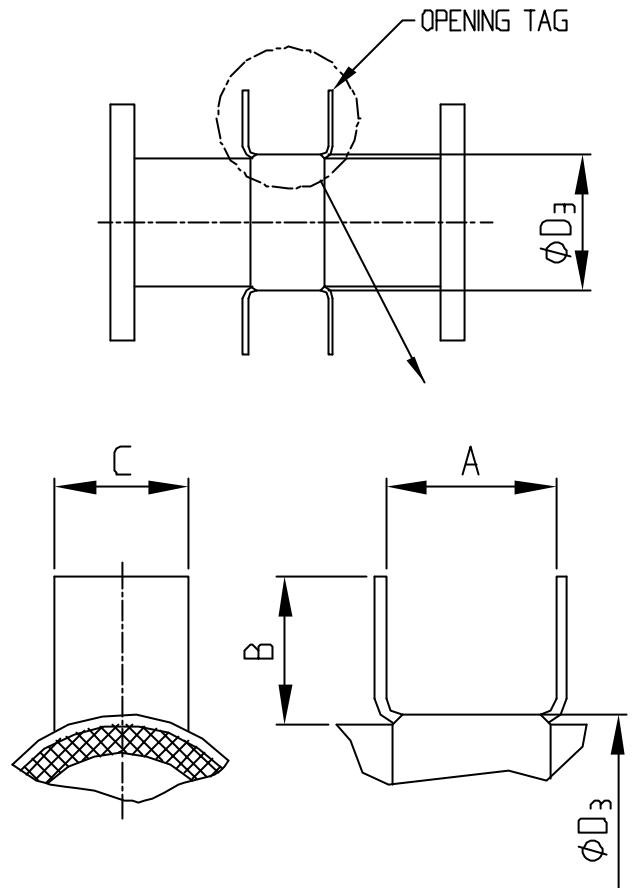
### Conical sleeve:



$\phi d$	$\phi d_1$	$\phi d_2$

$\phi D_1$	$\phi D_2$	H	K	L

### Opening tags:



$\phi D_3$	A
B	C

SLEEVE MATERIAL: \_\_\_\_\_.

PRESSURE CLASS \_\_\_\_\_ BAR/PSI.

FLANGE DRILLING ACC. \_\_\_\_\_ STANDARD.

QUANTITY \_\_\_\_\_ PCS.



## ENQUIRY SHEET FOR SPECIAL SLEEVE